

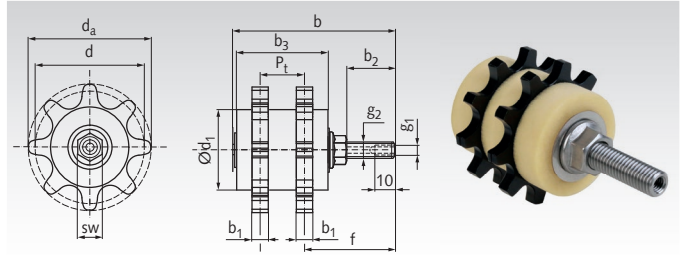
PU Chain Lubrication Pinions for Double-Strand Roller Chains, Axial Lube Port

Materiál: Body: Open-cell PU foam.
Axle: Nerezová oceľ. Plain bearing. Chain sprocket: PA.



For duplex roller chains DIN ISO 606 (ex DIN 8187).
The rollers made of open-cell PU foam transfer the lubricant to the roller chain link plates at specific points. The lubrication roller is driven by a plastic pinion. It can be installed in any position.
The lubricant supply can be done automatically or manually, e.g. with a grease gun.

Teplotná škála: -10°C to +80°C.



Informácie potrebné na objednanie: napr.: Produkt č. 68057608, PU chain lubrication sprocket 08 B-2, axial lube port

Produkt č.	DIN ISO	Počet zubov	d mm	d ₁ mm	d _a mm	b mm	b ₁ mm	b ₂ mm	b ₃ mm	P _t mm	f mm	g ₁ mm	g ₂ mm	sw mm	Hmotnosť g
680 576 08	08 B-2	12	49,07	39	53	81,2+1	5	29	40	15	53	M6	M10	15	115
680 576 10	10 B-2	10	51,37	39	55	81,2+1	5	30	40	15	53	M6	M10	15	115
680 576 12	12 B-2	8	49,78	36	55	86,2+1	5	30	44	15	55,5	M6	M10	15	115
680 576 16	16 B-2	8	66,37	48	75	146,4+2	10	49,1	80	30	90,7	M10x1	M16	24	130
680 576 20	20 B-2	8	82,97	59	90	146,4+2	10	49,1	80	30	90,7	M10x1	M16	24	417
680 576 24	24 B-2	10	123,29	93	138	166,4+2	10	49,1	100	50	95,7	M10x1	M16	24	923

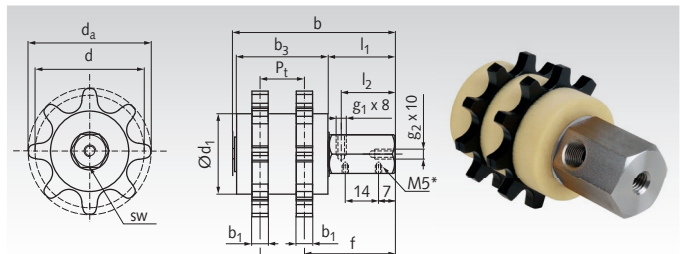
PU Chain Lubrication Pinions for Double-Strand Roller Chains, Radial Lube Port

Materiál: Body: Open-cell PU foam.
Axle: Nerezová oceľ. Plain bearing. Chain sprocket: PA.



For duplex roller chains DIN ISO 606 (ex DIN 8187).
The rollers made of open-cell PU foam transfer the lubricant to the roller chain link plates at specific points. The lubrication roller is driven by a plastic pinion. It can be installed in any position.
The lubricant supply can be done automatically or manually, e.g. with a grease gun.

Teplotná škála: -10°C to +80°C.



Informácie potrebné na objednanie: napr.: Produkt č. 68057608R, PU chain lubrication sprocket 08 B-2, radial lube port

Produkt č.	DIN ISO	Počet zubov	d mm	d ₁ mm	d _a mm	b mm	b ₁ mm	P _t mm	l ₁ mm	l ₂ mm	b ₃ mm	f mm	g ₁ mm	g ₂ mm	sw mm	Hmotnosť g
680 576 08R	08 B-2	12	49,07	39	53	71,4+2	5	15	30	20	40	43,2	M10x1	M8	24	187
680 576 10R	10 B-2	10	51,37	39	55	71,4+2	5	15	30	20	40	43,2	M10x1	M8	24	187
680 576 12R	12 B-2	8	49,78	36	55	76,4+2	5	15	30	20	44	45,7	M10x1	M8	24	187
680 576 16R	16 B-2	8	66,37	48	75	111,4+2	10	30	30	20	80	55,7	M10x1	M8	24	202
680 576 20R	20 B-2	8	82,97	59	90	111,4+2	10	30	30	20	80	55,7	M10x1	M8	24	501
680 576 24R	24 B-2	10	123,29	93	138	131,4+2	10	50	30	20	100	50,7	M10x1	M8	24	1010

*Fastening thread for spring plate mounting.

On request: Can also be supplied with a spring plate on one or both sides for easy installation.

Poznámka: The spinning off of the lubricant is influenced by factors such as temperature, lubricant viscosity and pre-lubrication. There is a risk of „spraying“ at high speeds.

Accessories for Gear Lubrication and Chain Lubrication Sprockets

Spring Plate

Materiál: Stainless steel 1.4301 (AISI 304).

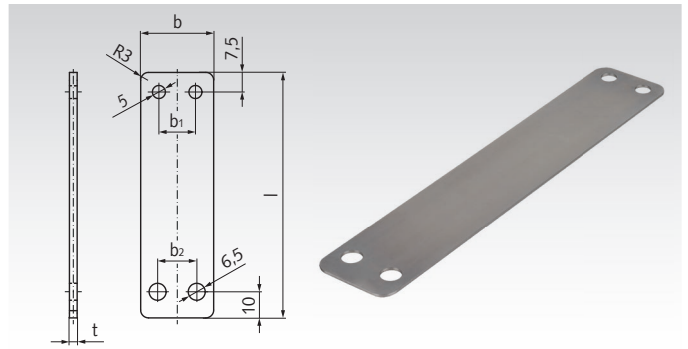


For mounting lubricant applicators with a radial axis, primarily for chain lubrication sprockets. Ensures uniform contact pressure and consistent lubricant application.

Also suitable for gear lubrication; however, for gear pairs, a fixed mounting is recommended, as spring-mounted attachments may cause backlash and uneven engagement.

Informácie potrebné na objednanie: napr.: Produkt č. 68057950, Spring plate

Produkt č.	l mm	b mm	b ₁ mm	b ₂ mm	t mm	Hmotnosť kg
680 579 50	150	28	14	15	0,8	0,03



Double Nut Adapter for Spring Plate and Angle Mounting

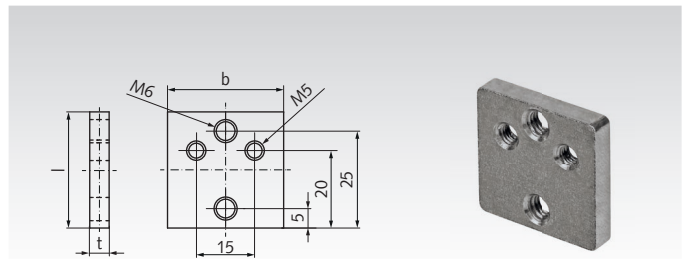
Materiál: Stainless steel 1.4301 (AISI 304).



The mounting adapter (double nut) either connects the spring plate to the mounting bracket or can be used to combine mounting brackets.

Informácie potrebné na objednanie: napr.: Produkt č. 68057951, Double nut adapter

Produkt č.	l mm	b mm	t mm	Hmotnosť kg
680 579 51	30	30	5	0,10



Mounting Bracket for Spring Plate

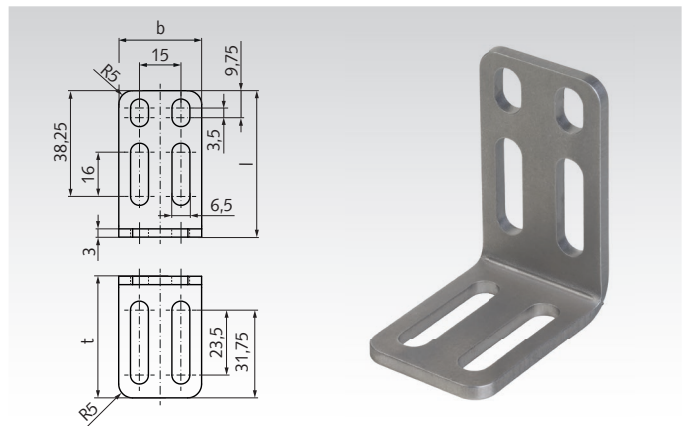
Materiál: Stainless steel 1.4301 (AISI 304).



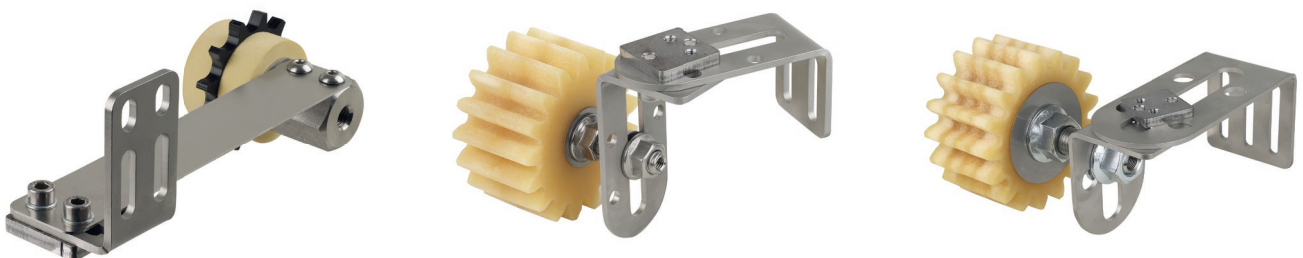
The mounting bracket is used to hold and secure the spring plate. Using a double nut, the spring plate can be easily mounted together with the bracket. The elongated holes in the bracket provide maximum flexibility for positioning and aligning the fastening elements.

Informácie potrebné na objednanie: napr.: Produkt č. 68057952, Mounting bracket for spring plate

Produkt č.	l mm	b mm	t mm	Hmotnosť kg
680 579 52	53	30	44	0,05



Príklady montáže



Accessories for Gear Lubrication and Chain Lubrication Sprockets

Mounting Bracket for Lubricating Gears and Chain Lubrication Pinions, for Axial Lubrication Port M10

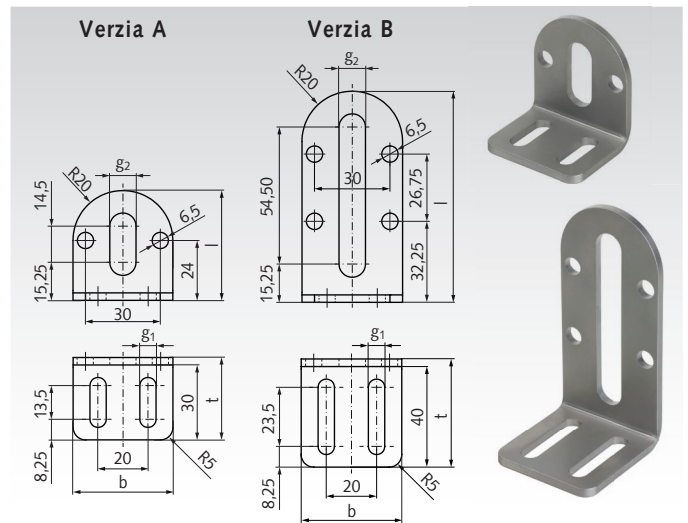
Materiál: Stainless steel 1.4301 (AISI 304).



For rigid mounting of lubricant applicators with an axial lubrication connection. Ideal for lubricating gears in gear pairs or chain lubrication sprockets without spring-mounted support. Suitable for M10 threaded shafts. Mounting is performed via elongated holes, allowing flexible positioning and precise adjustment of the applicator.

Informácie potrebné na objednanie: napr.: Produkt č. 68057980, Mounting bracket A, for axial axle M10

Produkt č.	Verzia	l mm	b mm	t mm	g ₁ mm	g ₂ mm	Hmotnosť kg
680 579 80	A	44	40	33	6,5	10,5	0,05
680 579 81	B	84	40	43	6,5	10,5	0,08



Mounting Bracket for Lubricating Gears and Chain Lubrication Pinions, for Axial Lubrication Port M16

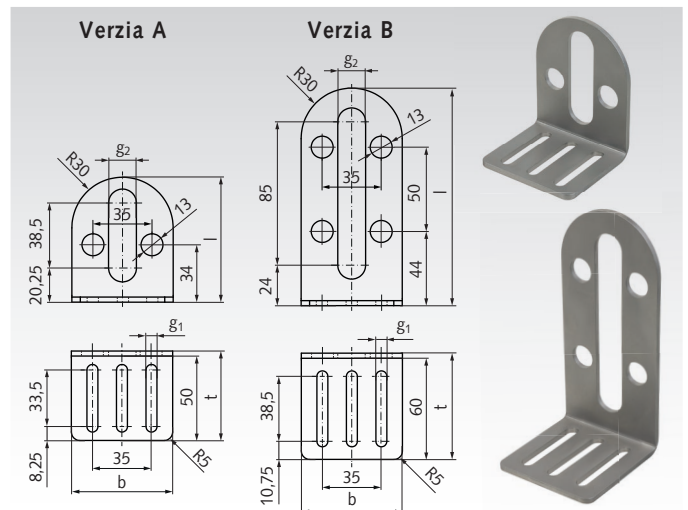
Materiál: Stainless steel 1.4301 (AISI 304).



For rigid mounting of lubricant applicators with an axial lubrication connection. Ideal for lubricating gears in gear pairs or chain lubrication sprockets without spring-mounted support. Suitable for M16 threaded shafts. Mounting is performed via elongated holes, allowing flexible positioning and precise adjustment of the applicator.

Informácie potrebné na objednanie: napr.: Produkt č. 68057982, Mounting bracket A, for axial axle M16

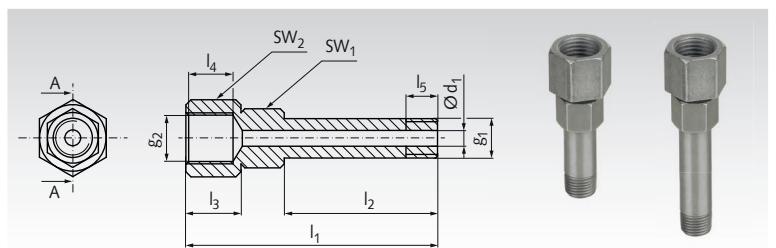
Produkt č.	Verzia	l mm	b mm	t mm	g ₁ mm	g ₂ mm	Hmotnosť kg
680 579 82	A	74	60	53	6,5	16,5	0,12
680 579 83	B	129	60	63	6,5	16,5	0,18



Connector Piece for Lubricating Gears and Chain Lubrication Pinions, for Radial Lubrication Port

Materiál: Steel, zinc-plated.

For connecting lubrication gears and chain lubrication sprockets to lubricant dispensers or a pipe system. With G1/4" female thread connection and M10x1 thread for radial axle mounting. Suitable for use with oil and grease applications.



Informácie potrebné na objednanie: napr.: Produkt č. 68057984, Connector Piece, length 51mm

Produkt č.	l ₁ mm	l ₂ mm	l ₃ mm	l ₄ mm	l ₅ mm	d ₁ mm	g ₁ mm	g ₂ inch	SW ₁ mm	SW ₂ mm	Hmotnosť kg
680 579 84	51	24	14	12	8	4	M10 x 1	G1/4"	13	17	0,04
680 579 85	67	39	14	12	8	4	M10 x 1	G1/4"	13	17	0,05

Príklad montáže

