

## Accessories for Gear Lubrication and Chain Lubrication Sprockets

### Spring Plate

**Materiál:** Stainless steel 1.4301 (AISI 304).

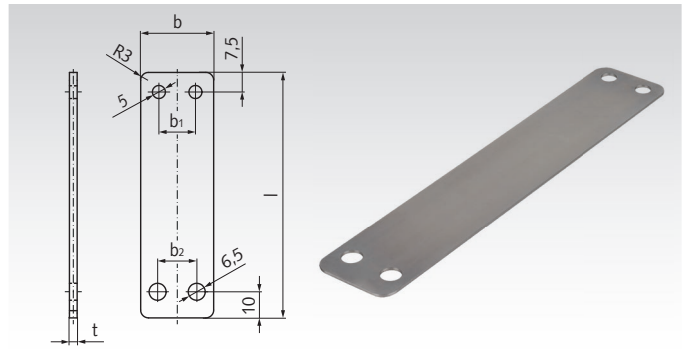


For mounting lubricant applicators with a radial axis, primarily for chain lubrication sprockets. Ensures uniform contact pressure and consistent lubricant application.

Also suitable for gear lubrication; however, for gear pairs, a fixed mounting is recommended, as spring-mounted attachments may cause backlash and uneven engagement.

Informácie potrebné na objednanie: napr.: Produkt č. 68057950, Spring plate

Produkt č.	l mm	b mm	b <sub>1</sub> mm	b <sub>2</sub> mm	t mm	Hmotnosť kg
680 579 50	150	28	14	15	0,8	0,03



### Double Nut Adapter for Spring Plate and Angle Mounting

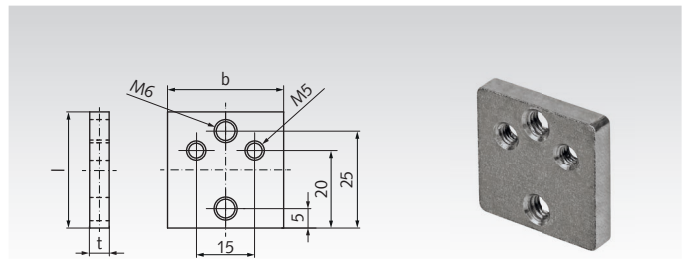
**Materiál:** Stainless steel 1.4301 (AISI 304).



The mounting adapter (double nut) either connects the spring plate to the mounting bracket or can be used to combine mounting brackets.

Informácie potrebné na objednanie: napr.: Produkt č. 68057951, Double nut adapter

Produkt č.	l mm	b mm	t mm	Hmotnosť kg
680 579 51	30	30	5	0,10



### Mounting Bracket for Spring Plate

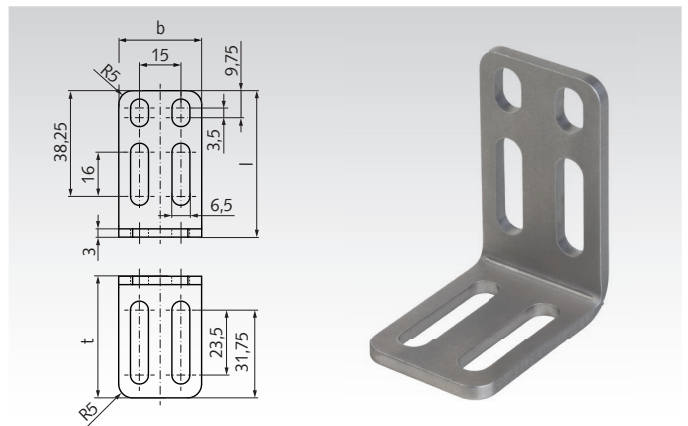
**Materiál:** Stainless steel 1.4301 (AISI 304).



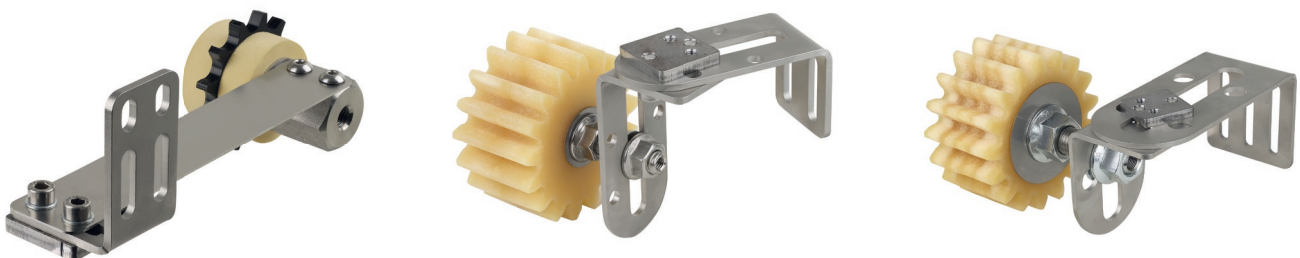
The mounting bracket is used to hold and secure the spring plate. Using a double nut, the spring plate can be easily mounted together with the bracket. The elongated holes in the bracket provide maximum flexibility for positioning and aligning the fastening elements.

Informácie potrebné na objednanie: napr.: Produkt č. 68057952, Mounting bracket for spring plate

Produkt č.	l mm	b mm	t mm	Hmotnosť kg
680 579 52	53	30	44	0,05



### Príklady montáže



## Accessories for Gear Lubrication and Chain Lubrication Sprockets

### Mounting Bracket for Lubricating Gears and Chain Lubrication Pinions, for Axial Lubrication Port M10

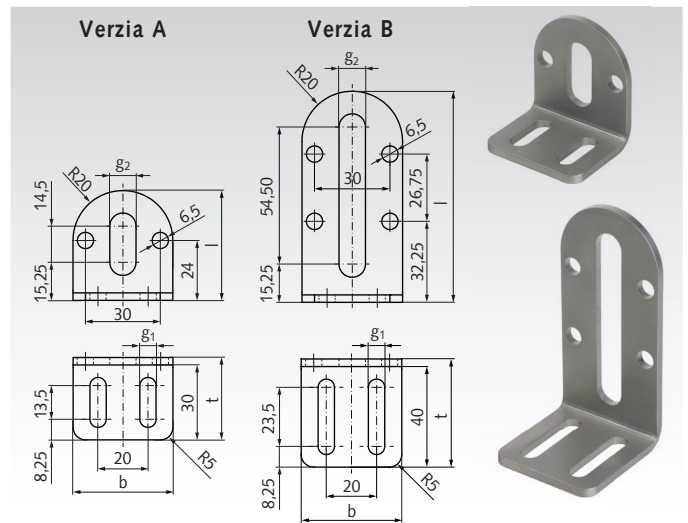
**Materiál:** Stainless steel 1.4301 (AISI 304).



For rigid mounting of lubricant applicators with an axial lubrication connection. Ideal for lubricating gears in gear pairs or chain lubrication sprockets without spring-mounted support. Suitable for M10 threaded shafts. Mounting is performed via elongated holes, allowing flexible positioning and precise adjustment of the applicator.

Informácie potrebné na objednanie: napr.: Produkt č. 68057980, Mounting bracket A, for axial axle M10

Produkt č.	Verzia	l mm	b mm	t mm	g <sub>1</sub> mm	g <sub>2</sub> mm	Hmotnosť kg
680 579 80	A	44	40	33	6,5	10,5	0,05
680 579 81	B	84	40	43	6,5	10,5	0,08



### Mounting Bracket for Lubricating Gears and Chain Lubrication Pinions, for Axial Lubrication Port M16

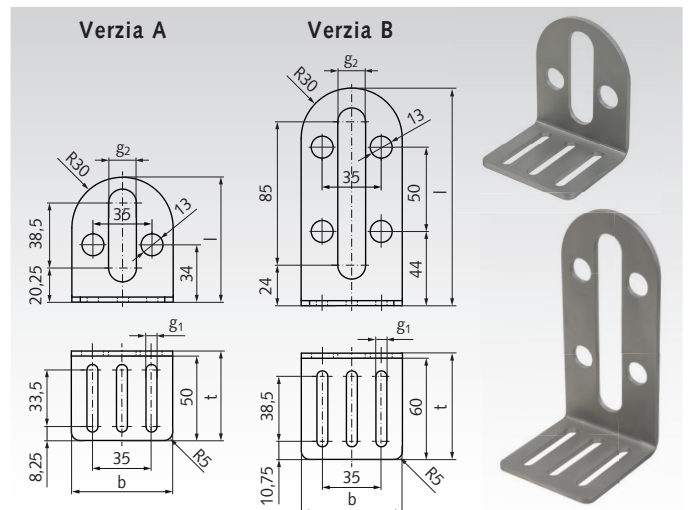
**Materiál:** Stainless steel 1.4301 (AISI 304).



For rigid mounting of lubricant applicators with an axial lubrication connection. Ideal for lubricating gears in gear pairs or chain lubrication sprockets without spring-mounted support. Suitable for M16 threaded shafts. Mounting is performed via elongated holes, allowing flexible positioning and precise adjustment of the applicator.

Informácie potrebné na objednanie: napr.: Produkt č. 68057982, Mounting bracket A, for axial axle M16

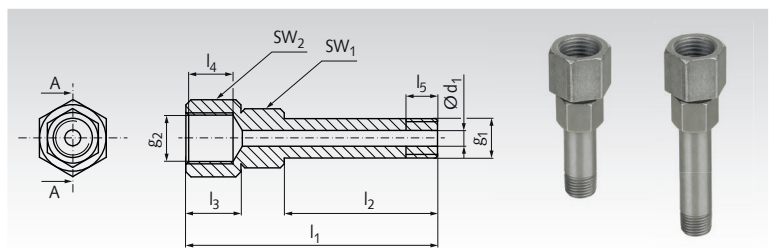
Produkt č.	Verzia	l mm	b mm	t mm	g <sub>1</sub> mm	g <sub>2</sub> mm	Hmotnosť kg
680 579 82	A	74	60	53	6,5	16,5	0,12
680 579 83	B	129	60	63	6,5	16,5	0,18



### Connector Piece for Lubricating Gears and Chain Lubrication Pinions, for Radial Lubrication Port

**Materiál:** Steel, zinc-plated.

For connecting lubrication gears and chain lubrication sprockets to lubricant dispensers or a pipe system. With G1/4" female thread connection and M10x1 thread for radial axle mounting. Suitable for use with oil and grease applications.



Informácie potrebné na objednanie: napr.: Produkt č. 68057984, Connector Piece, length 51mm

Produkt č.	l <sub>1</sub> mm	l <sub>2</sub> mm	l <sub>3</sub> mm	l <sub>4</sub> mm	l <sub>5</sub> mm	d <sub>1</sub> mm	g <sub>1</sub> mm	g <sub>2</sub> inch	SW <sub>1</sub> mm	SW <sub>2</sub> mm	Hmotnosť kg
680 579 84	51	24	14	12	8	4	M10 x 1	G1/4"	13	17	0,04
680 579 85	67	39	14	12	8	4	M10 x 1	G1/4"	13	17	0,05

#### Príklad montáže

